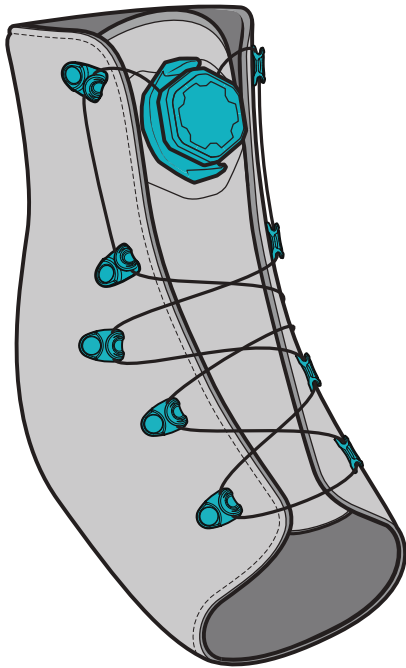


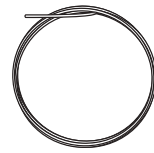
Replacement Instructions For:

RP0200-230-05, QuickFit® LG Dial and Lace Replacement Kit - Black



For help and video instructions: clickmedical.co/quickfit-lacer

Replacement Kit Contents:



1x Replacement Steel Lace, 2.0m



1x Replacement BOA® Reel

Compatible with:

QFL-230-B-2, QuickFit® Lacer, LG - Black 2-Pack

Lace Locks



Advisory

Must be installed by a trained professional.
 Lace will wear. At minimum, inspect monthly.
 Overtightening could reduce circulation.
 Do not use on patients with nerve issues.
 Keep lace away from sharp edges.

See advisories in other languages: clickmedical.co/advisories



WARRANTY:

www.clickmedical.co/terms/#warranty

U.S. Customers:
 Contact Click Medical directly
 Help@ClickMedical.co
 Help Line: +1 970 670 7012

International Customers:
 Please contact your local distributor

UK REP

Parkway House, Palatine Rd, Northenden, Wythenshawe, Manchester M22 4DB United Kingdom

CH REP

MDSS CH GmbH, Laurenzvorstadt 61 5000 Aarau, Switzerland

MD

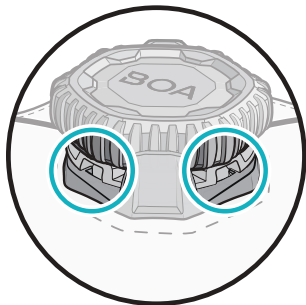
MDSS GmbH, Schiffgraben 41 30175 Hannover, Germany

EC REP



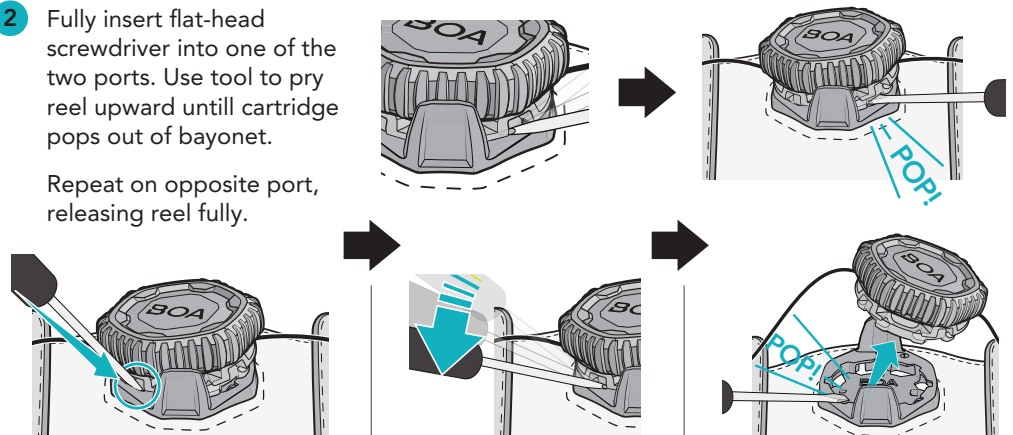
Click Medical, LLC, 1205 Hilltop Parkway, W101 Steamboat Springs, CO 80487, USA +1-970-670-7012

- 1 Pull dial open to release tension. Locate two removal portals on lower reel.

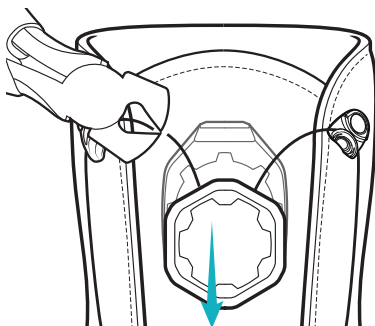


- 2 Fully insert flat-head screwdriver into one of the two ports. Use tool to pry reel upward until cartridge pops out of bayonet.

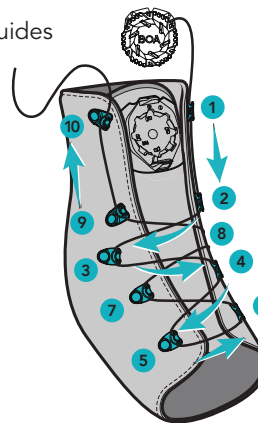
Repeat on opposite port, releasing reel fully.



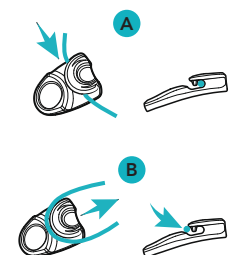
- 3 Snip lace to remove old dial and lace from the system.



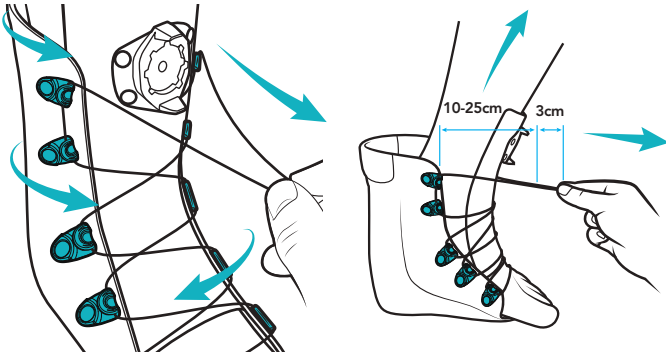
- 4 Lace the Guides as shown.



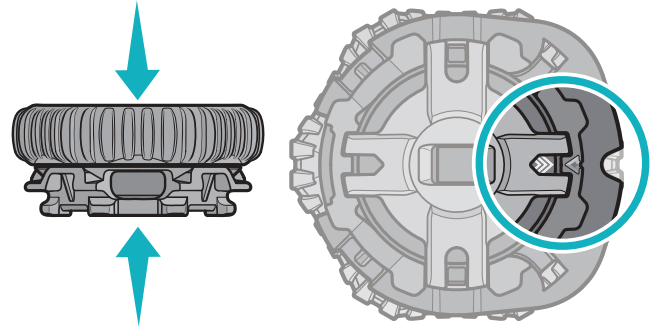
Lace can be fed straight through the Guide (A) or pulled into place (B).



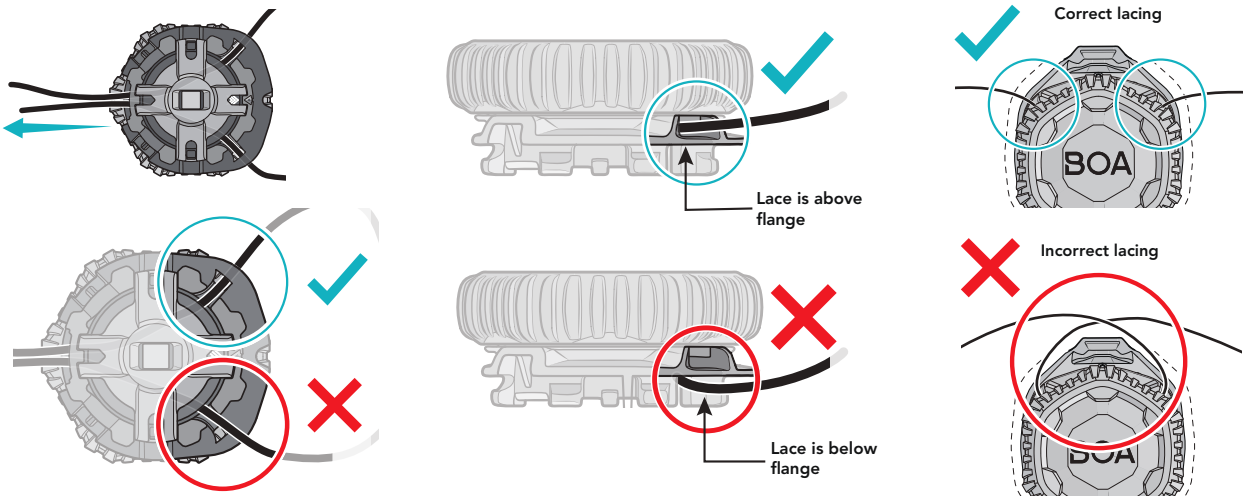
- 5** Ensure lace is fed through each guide. Pull the lace until tight and measure 10-25cm from the upper guide to the end of the lace. Add 3cm to each lace and cut.



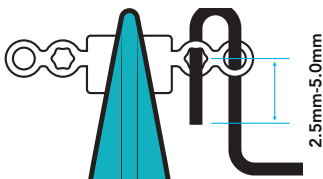
- 6** Press down on new reel to ensure it is closed. Turn the dial until the two arrows align.



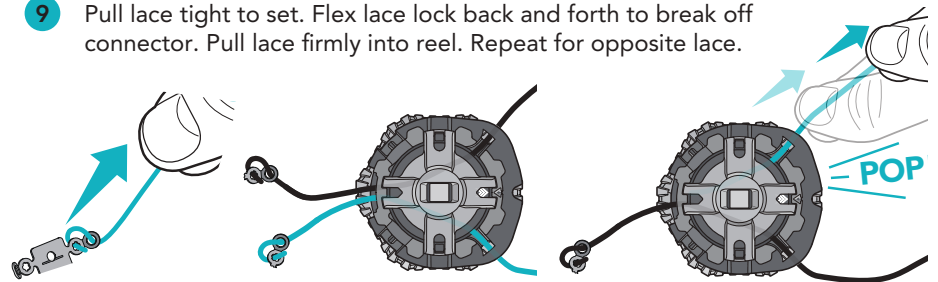
- 7** To assure lace is correctly inserted, feed lace through top exit port and pull through bottom reel window. Repeat for opposite side lace.



- 8** Hold lace lock with pliers. Push lace through back of hole, then loop lace around backside and through the second hole. Lace tail should be 2.5mm-5.0mm.

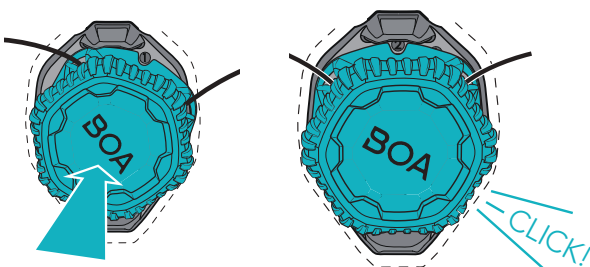


- 9** Pull lace tight to set. Flex lace lock back and forth to break off connector. Pull lace firmly into reel. Repeat for opposite lace.



Note: Lace locks and tail should not be visible when lace is seated properly.

- 10** Insert reel into base by aligning the notch with the #1 on the mounting plate and pushing into place. Then turn reel counter clockwise. The #2 will then be visible.



- 11** Pull outward on dial to ensure proper installation then cycle system to test for smooth function:

*Push to engage.
Twist to tighten.
Pull to release.*

Note: If system feels rough, remove reel (see steps 1-2) and check that knot and tail are seated properly (see step 9).

