



QuickFit™ Lacer by CLICK

OK0200-130-05
Size: Small



For help and video instructions:
clickmedical.co/quickfit-lacer

Click Medical products are patent protected. For full list see www.clickmedical.co/patents
Revised 2022

Install Hints:

Use QuickFit™ Tool 1/8" punch to make required holes.

If using existing holes for rivet guides, remove metal or plastic grommets from eyelets to ensure a secure rivet setting.

Rivets can be hand snapped to position for verifying fit, but system must be set with QuickFit™ Tool.

Press rivets at 90° with QuickFit™ Tool; pressing an angle will result in poor rivet setting.

Secure dial on thicker/sturdier part of tongue.

Recommended Tools:

- QuickFit™ Setter Tool
- QuickFit™ Rivet Pack
- Marker Pen



Advisory

Must be installed by a trained professional.

Lace will wear. At minimum, inspect monthly.

Overtightening could reduce circulation.

Do not use on patients with nerve issues.

Keep lace away from sharp edges.

See advisories in other languages:

clickmedical.co/advisories



WARRANTY:

www.clickmedical.co/terms/#warranty

U.S. Customers:

Contact Click Medical directly
Help@ClickMedical.co • Help Line: +1 970 670 7012

International Customers:

Please contact your local distributor

MD
EC REP

MDSS GmbH.
Schiffgraben 41
30175 Hannover
Germany



Click Medical, LLC
1205 Hilltop Parkway, W101
Steamboat Springs, CO,
80487, USA
1-970-670-7012

UK	REP
----	-----

MDSS-UK RP LIMITED
6 Wilmslow Road, Rusholme
M14 5TP Manchester
United Kingdom

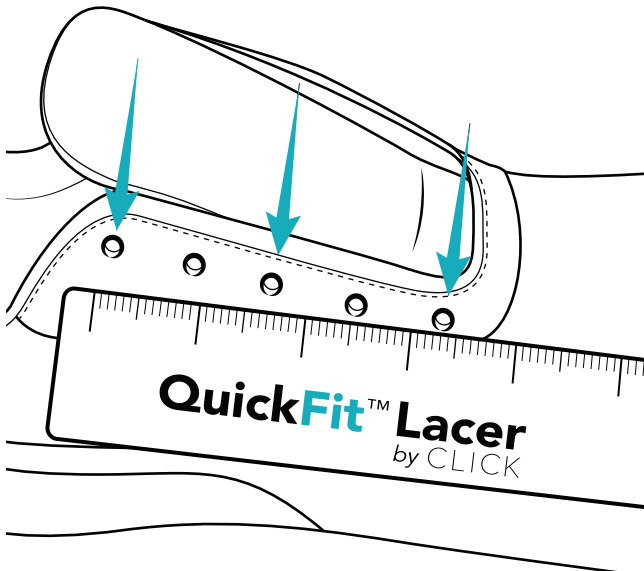
CH	REP
----	-----

MDSS CH GmbH.
Laurenzenvorstadt 61
5000 Aarau
Switzerland

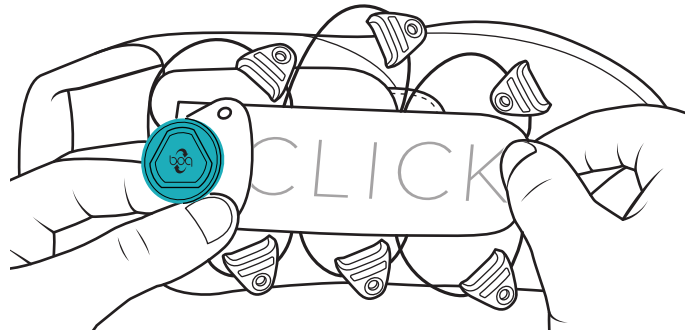
Prep device for installation:

Before starting install, determine guide locations along the edge of the opening. Guide locations should be evenly spaced (usually every other hole).

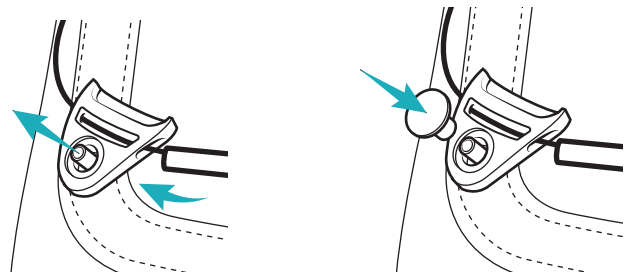
Mark and punch holes.



- 1 Peel sticker from its backing paper. Use sticker to position the system on the device. Allow all the guides to freely move.

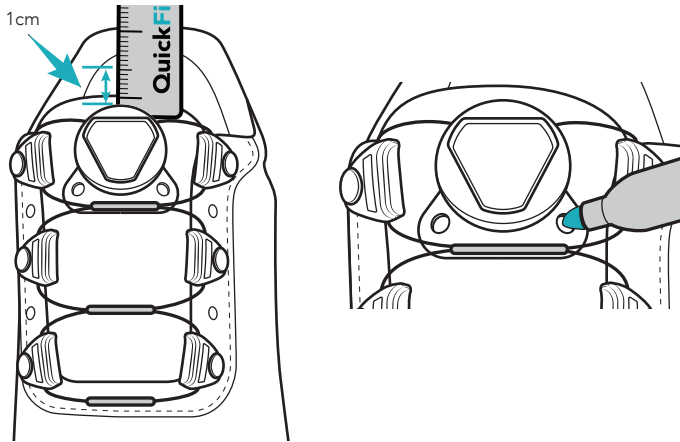


- 2 a) Attach lace guides by inserting male rivet from inside the device and through lace guide. b) Snap female rivet cap on top of lace guide, holding the guide to the shoe.

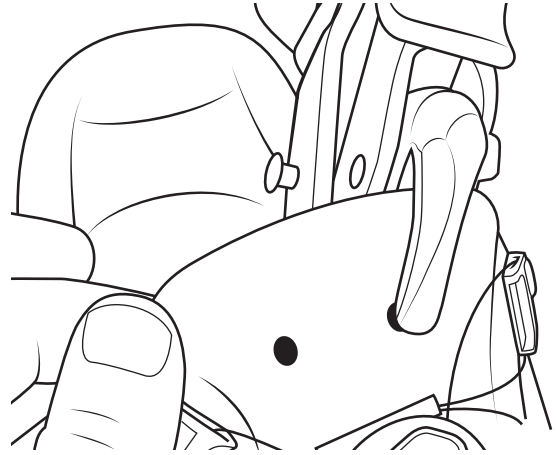


Hint: Start with guides farthest away from the dial. Repeat for all guides.

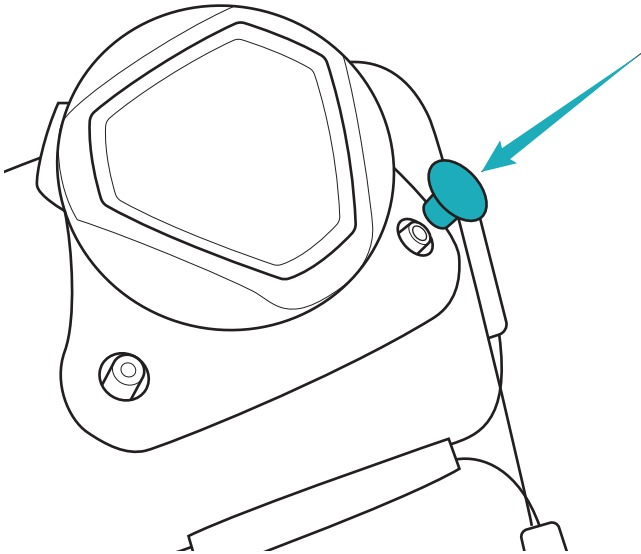
- 3 Remove sticker to determine placement of dial. Allow 1cm of clearance between top of tongue and top of dial. Mark location of holes.



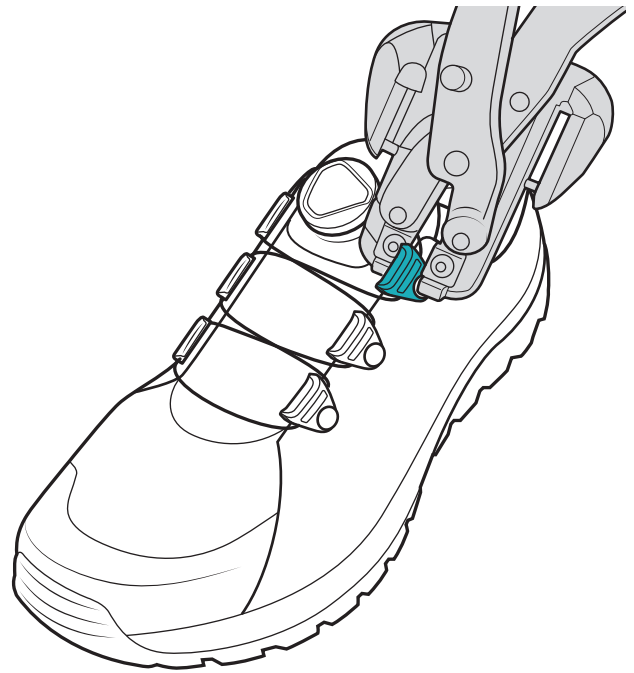
- 4 Punch hole using the 1/8" punch option of QuickFit™ Tool.



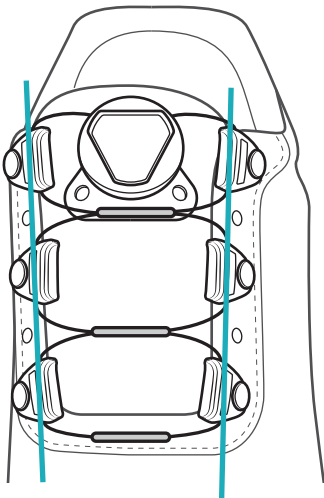
- 5 Snap rivets as described in step 2. If satisfied with placement, secure using QuickFit™ Tool.



- 6 Repeat step 5 for all guides.



- 7 Check alignment of guides.



- 8 Cycle system to test for smooth function:
Push to engage.
Twist to tighten.
Pull to release.

