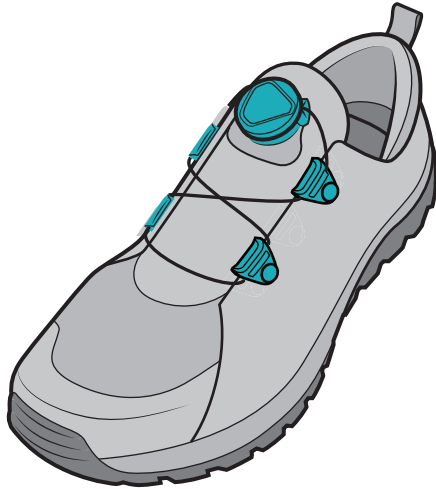




**QuickFit™ Lacer**  
by CLICK

OK0180-130-05  
Size: X-Small



For help and video instructions:  
[clickmedical.co/quickfit-lacer](http://clickmedical.co/quickfit-lacer)

Click Medical products are patent protected. For full list see [www.clickmedical.co/patents](http://www.clickmedical.co/patents)  
Revised 2022

**Install Hints:**

Use QuickFit™ Tool 1/8" punch to make required holes.

If using existing holes for rivet guides, remove metal or plastic grommets from eyelets to ensure a secure rivet setting.

Rivets can be hand snapped to position for verifying fit, but system must be set with QuickFit™ Tool.

Press rivets at 90° with QuickFit™ Tool; pressing an angle will result in poor rivet setting.

Secure dial on thicker/sturdier part of tongue.

**Recommended Tools:**

- QuickFit™ Setter Tool
- QuickFit™ Rivet Pack
- Marker Pen



**Advisory**

Must be installed by a trained professional.

Lace will wear. At minimum, inspect monthly.

Overtightening could reduce circulation.

Do not use on patients with nerve issues.

Keep lace away from sharp edges.

See advisories in other languages:

[clickmedical.co/advisories](http://clickmedical.co/advisories)



**WARRANTY:**

[www.clickmedical.co/terms/#warranty](http://www.clickmedical.co/terms/#warranty)

**U.S. Customers:**

Contact Click Medical directly  
Help@ClickMedical.co • Help Line: +1 970 670 7012

**International Customers:**

Please contact your local distributor

MD
EC REP

MDSS GmbH.  
Schiffgraben 41  
30175 Hannover  
Germany



Click Medical, LLC  
1205 Hilltop Parkway, W101  
Steamboat Springs, CO,  
80487, USA  
1-970-670-7012

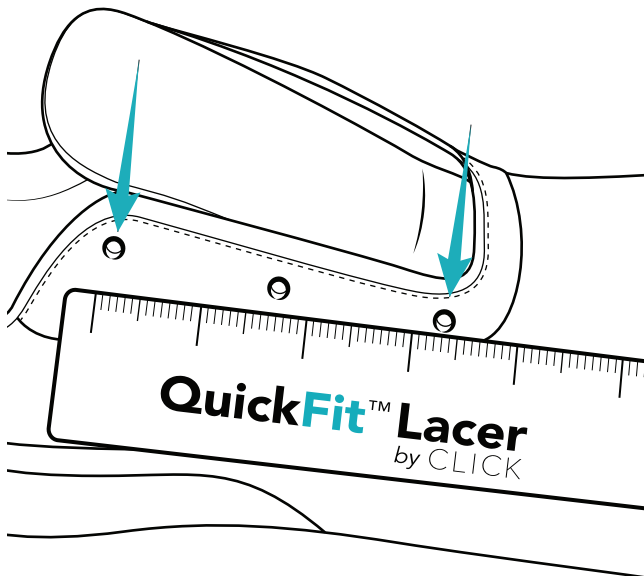
UK	REP
MDSS-UK RP LIMITED 6 Wilmslow Road, Rusholme M14 5TP Manchester United Kingdom	

CH	REP
MDSS CH GmbH. Laurenzenvorstadt 61 5000 Aarau Switzerland	

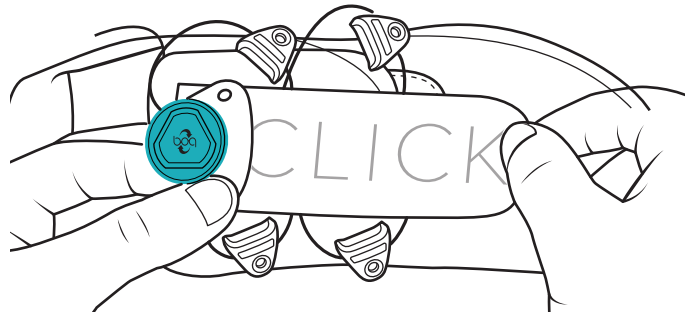
**Prep device for installation:**

Before starting install, determine guide locations along the edge of the opening. Guide locations should be evenly spaced (Usually every other hole).

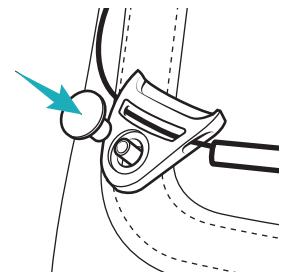
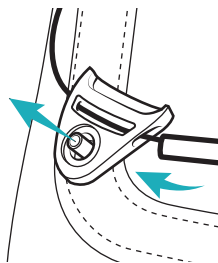
Mark and punch holes.



- 1 Peel sticker from its backing paper. Use sticker to position the system on the device. Allow all guides to freely move.

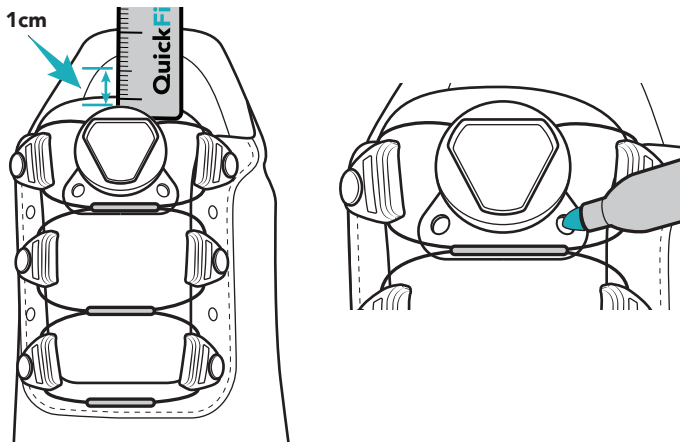


- 2 a) Attach lace guides by inserting male rivet from inside the device and through lace guide.  
b) Snap female rivet cap on top of lace guide, holding the guide to the shoe.

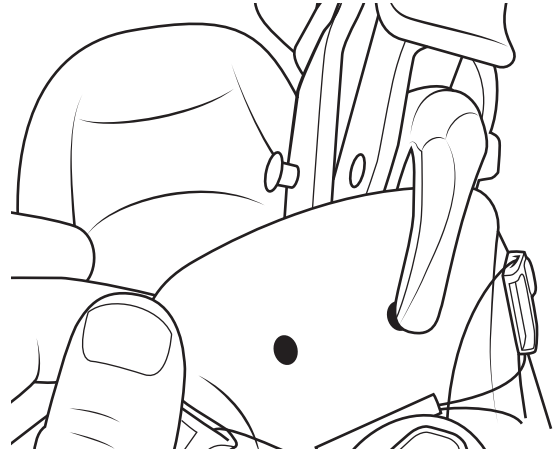


**Hint:** Start with guides farthest away from the dial. Repeat for all guides.

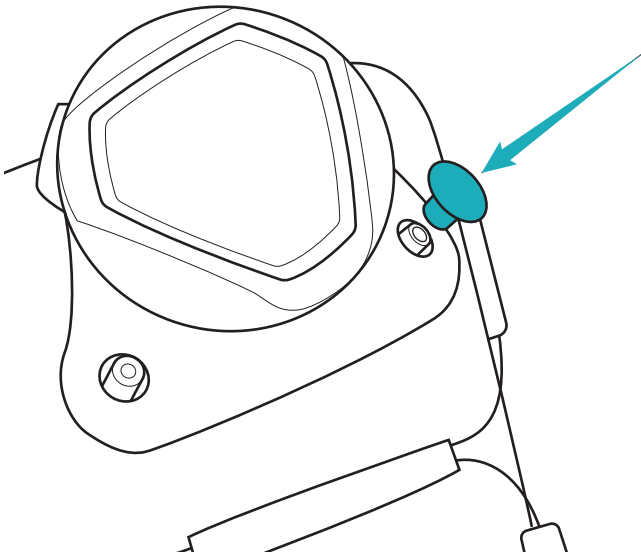
- 3 Remove sticker to determine placement of dial. Allow 1cm of clearance between top of tongue and top of dial. Mark location of holes.



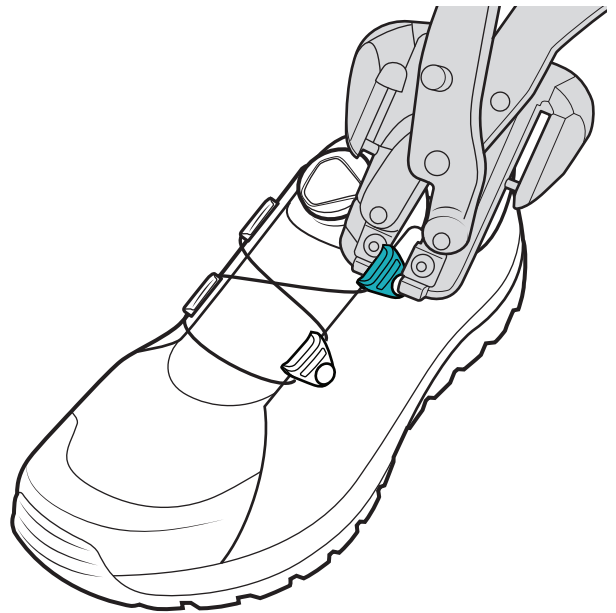
- 4 Punch holes using the 1/8" punch option of QuickFit™ Tool.



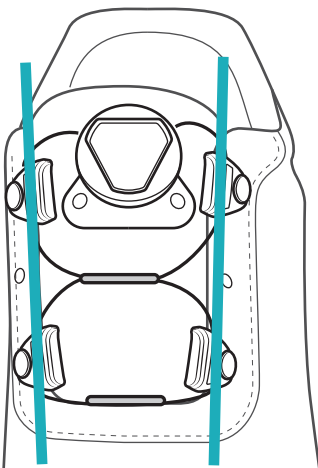
- 5 Snap rivets as described in step 2. If satisfied with placement, secure using QuickFit™ Tool.



- 6 Repeat step 5 for all guides.



- 7 Check alignment of guides.



- 8 Cycle system to test for smooth function:  
Push to engage.  
Twist to tighten.  
Pull to release.

