

Visit www.clickacademy.co for important videos and instructions on working with Click Reels



Advisories

Must be installed by a licensed professional.
Overtightening could compromise circulation.
Lace will wear:

- Routinely check for wear or damage.
- Look for broken fibers around areas of high wear.
- Replace lace if a significant amount of fibers are broken.
- Proactively replace lace every 6 months.
- Keep lace away from open flame and sharp edges.

Weight limit: 300lbs/135kg

See instructions in other languages: clickmedical.co/instructions

Lace

High Capacity (HC) - For use with **RevoLock®** and **RevoSurface®**

High Durability (HD) - For use with **RevoFit®**

GUARANTEE

The Click® Reel is guaranteed to last the life of the device into which it is originally installed. Registration of the Click Reel is required at the time of original device delivery. To register: clickmedical.co/contact-us/cr-registration/

WARRANTY

For warranty information on all of Click Medical's products: clickmedical.co/terms/#warranty

U.S. Customers:

Contact Help@ClickMedical.co

Tel: +1-970-670-7012

International Customers:

Please contact your local distributor.

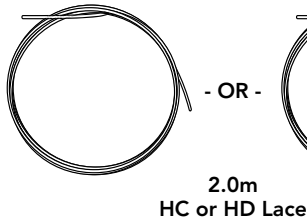
Click Medical products are patent protected.

For full list see www.clickmedical.co/patents

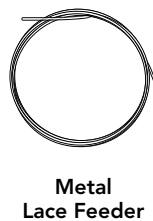
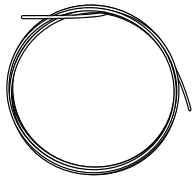
Kit Contents:

HC - High Capacity
RevoLock® & RevoSurface®

HD - High Durability
RevoFit®



- OR -



Reel Tool

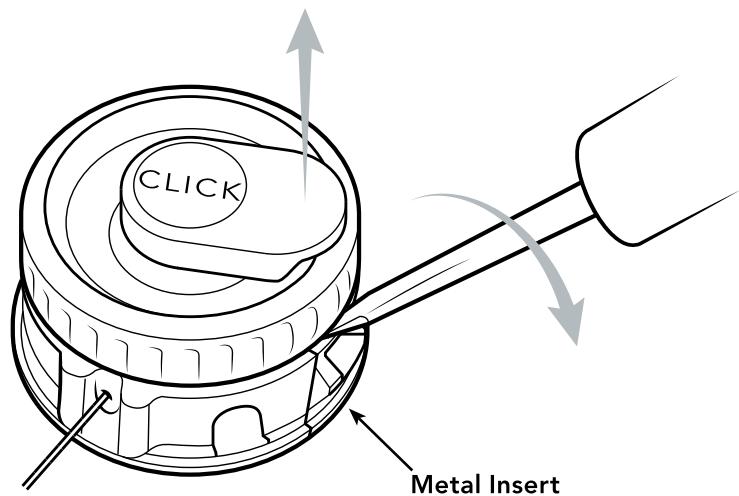


Lock Plug

Re-lacing a Click Reel

1 Remove existing reel from device:

- Locate the metal insert.
- Insert a small #1 flathead screwdriver between the metal insert and the reel body.
- Gently pry the reel upwards.

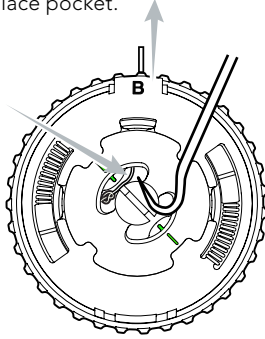


See clickmedical.co/instructions for detailed video instructions for replacing/re-lacing a reel.

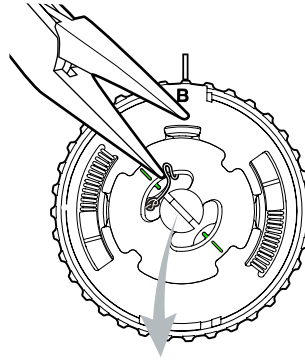
2 Remove old lace from the device and reel:

- Pull all lace out of the device and the reel.
- Use a sharp pick to remove the lace from the lace pocket.

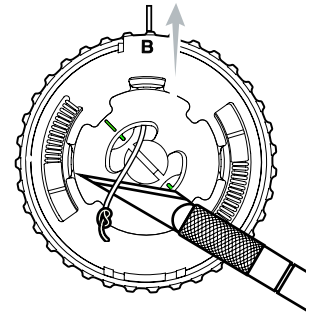
Remove the lace from the pocket



- Pull knot out of the lace pocket with pliers.



- Cut off the knot and pull lace out of reel.



3 Feed new lace through the existing lace path in device.

- Cut to length, and leave ~20cm of lace.
- Further trimming of lace will be completed in Step 6 prior to tying off the lace.

Pro Tip: For RevoLock applications measure out enough lace to match patient limb length specifications.

4 Prepare the Click Reel for Lacing:

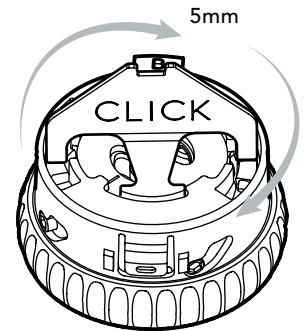
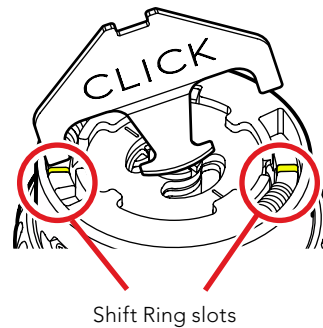
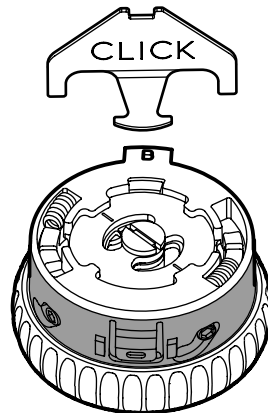
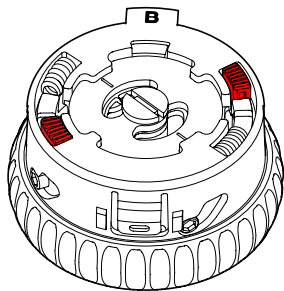
If Reel has Red Lock Plugs installed, skip to Step 5.

If Red Lock Plugs are not installed, complete the following steps first.

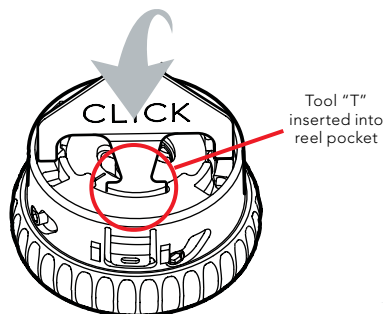
Hold the base of the reel (highlighted in gray)

Insert Reel Tool into Shift Ring slots

Turn tool and Shift Ring 5mm clockwise

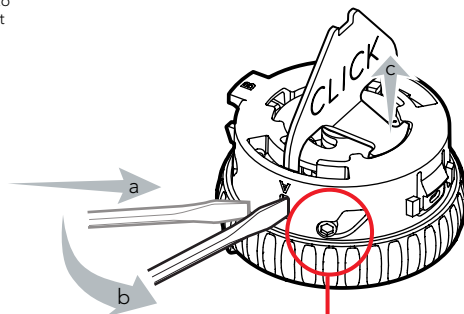


Rotate "T" down into pocket of reel



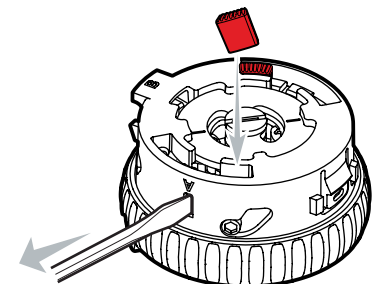
Tool "T" inserted into reel pocket

- Insert #1 flat head screwdriver into the unused lace port.
- Rotate screwdriver counterclockwise and push into center of reel to lock Shift Ring.
- Remove the Reel Tool. The screwdriver will now hold the shift ring in position.



Ensure side screws seat next to dial.

- Align curvature of plug with opening.
- Angle lock plug.
- Insert both lock plugs into openings and press flush.
- Remove screwdriver.



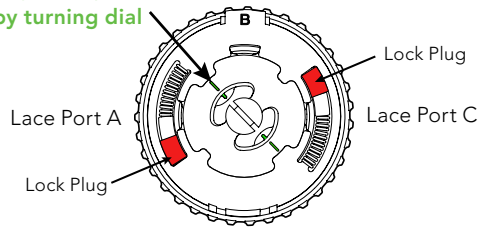
Pro Tip: If the Shift Ring will not fully seat, turn the dial slightly until the Shift® Ring fully seats.

2 Attach lace to the Click Reel:

Step 1

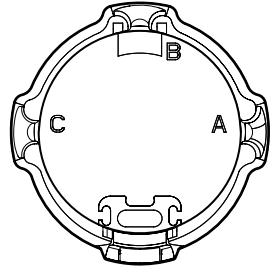
Ensure that the reel is ready for lacing. Both lock plugs should be in place. The **green marks** on the spool should align with the **green marks** on the washer. If necessary, turn dial to align **green marks**.

Adjust alignment by turning dial



Step 2

Relace the device. Attach each lace to its corresponding lace port on the reel - A, B, or C.

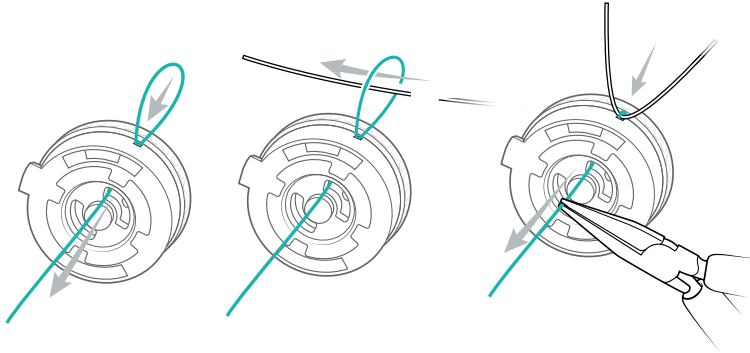


Step 3

Lace the reel using the plastic lace feeder.

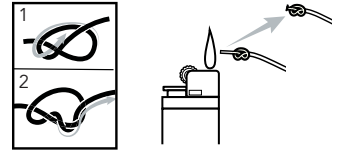
Pro Tip:

Gently pull the lace through the cavity to avoid breaking the plastic lace feeder.



Step 4

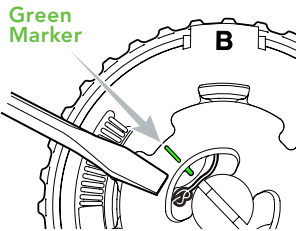
Tie a **single overhand** knot for the HD Lace (1) and a **double overhand** knot for the HC Lace (2). Trim tail to <5mm and lightly burn the end of the tail.



Step 5

Pull lace to seat knot in the far lace pocket, on the opposite side of the **green marker**.

Completely push knot into the cavity with a #1 flathead screwdriver:



Step 6

Pull open lace end to remove loose lace from device.

Repeat Step 3 to feed open lace end through reel.

Measure out ~10cm of lace.

Repeat Step 4 to tie double overhand knot, trim and seat it.

Pro Tip: For RevoLock applications measure out enough lace to match patient limb length specifications.

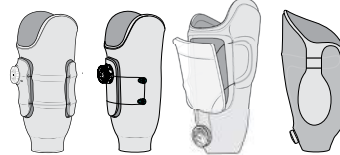
Step 7

Decide which reel mode to activate:

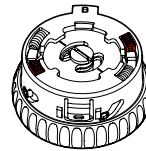
For more information on reel modes, watch our video here: <https://vimeo.com/786989811>

ADJUSTABLE DESIGNS WITH
Less than 3" of lace uptake

75% of Applications

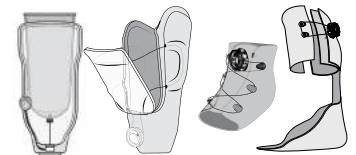


Keep Red Lock Plugs installed in the reel.

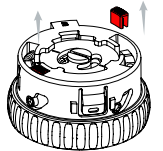


ADJUSTABLE DESIGNS WITH
More than 3" of lace uptake

25% of Applications



Remove Red Lock Plugs after lacing the reel.

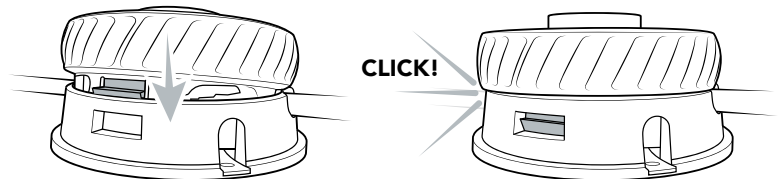
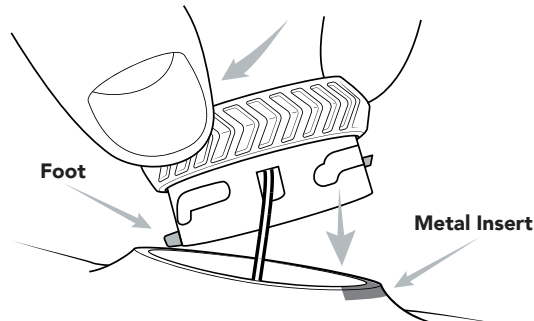


Pro Tip: Central fabricators should deliver device with Red Lock Plugs installed in reel. This will allow the practitioner to decide if they want Power Mode or Shift Mode.

3 Install the Click Reel:

a. Insert the foot of the reel into the void in the bottom of the collar opposite of the metal insert.

b. Press the reel firmly into the collar (you should hear a "CLICK" when secure).



4 Test function:

Cycle the system 3 times before delivering to verify proper function.

5 Important.

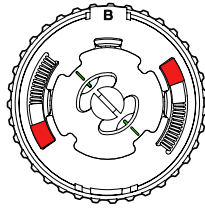
As a final step of fabrication, attach the patient **Instructions For Use** hangtag on dial.

How to use the Click Reel

The reel can operate in either Power Mode or Shift Mode.
If you want to change between modes, see our video on the process here: <https://vimeo.com/786989811>

How to operate the Click® Reel in **Power Mode - With Red Lock Plugs**

- 1 Turn the dial clockwise to tighten to desired tension.
- 2 Turn the dial counterclockwise to release tension.
- 3 Micro-adjust as needed.



If the reel always clicks when turned, it is in Power Mode

How to operate the Click® Reel in **Shift Mode - Without Red Lock Plugs**

- 1 Turn reel clockwise to quickly take up lace.
- 2 Continue to turn the dial. It will automatically shift from "silent" to "clicking".
- 3 Micro-adjust by turning forward or backward.
- 4 To fully release lace, unwind counterclockwise until "clicking" stops. Lace will then freely release from the reel.



Reel will operate silently while taking up lace



Once clicking, the reel will hold lace tension and wind up lace at a higher power



Regularly inspect your system.



Inspect lace:

- ✓ Check for wear or damage routinely
- ✓ Replace at any sign of wear
- ✓ Replace lace every 6 months



This product is waterproof and submersible. Rinse with fresh water after use in saltwater, sand, or mud.

UK REP

MDSS-UK RP LIMITED, 6 Wilmslow Road
Rusholme, M14 5TP Manchester
United Kingdom

CH REP

MDSS CH GmbH, Laurenzenvorstadt 61
5000 Aarau, Switzerland

MD
EC REP

MDSS GmbH, Schiffgraben 41
30175 Hannover, Germany



Click Medical, LLC, 1205 Hilltop Parkway, W101
Steamboat Springs, CO 80487, USA +1-970-670-7012